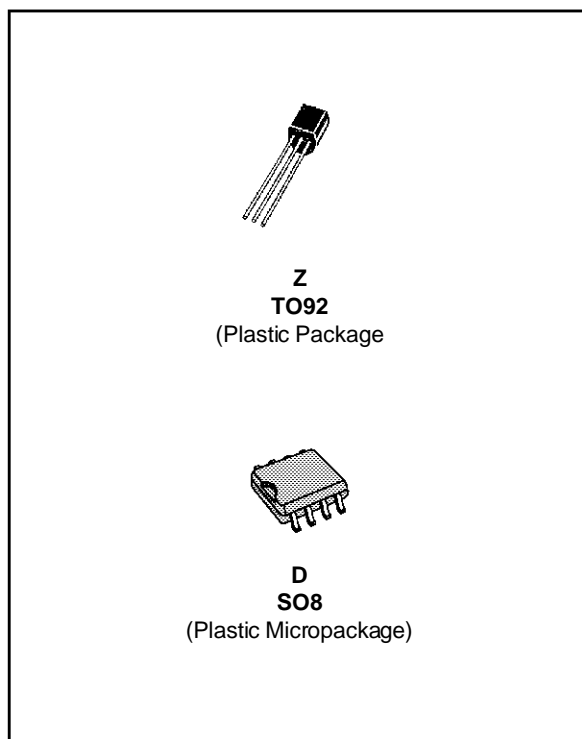


2.5V VOLTAGE REFERENCES

- LOW TEMPERATURE COEFFICIENT
- WIDE OPERATING CURRENT OF 400 μ A TO 10mA
- 0.2 Ω DYNAMIC IMPEDANCE
- GUARANTEED TEMPERATURE STABILITY
- FAST TURN-ON



DESCRIPTION

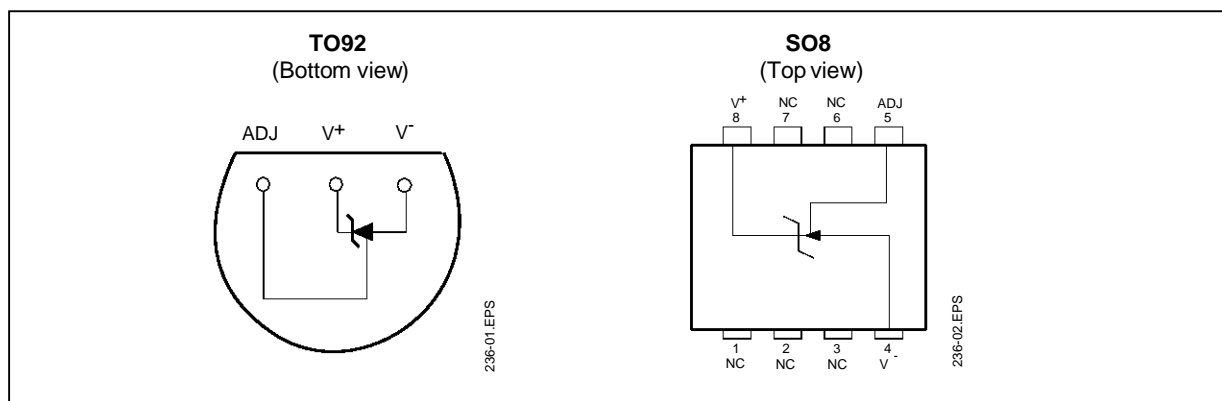
The LM236 and LM336 are precision 2.5V regulator diodes. These voltage reference monolithic ICs operate like 2.5V zener diodes with a low temperature coefficient and a dynamic impedance of 0.2 Ω . A third pin enables adjusting the reference voltage and the temperature coefficient.

ORDER CODES

Part number	Temperature Range	Package	
		Z	D
LM236,A	-25 $^{\circ}$ C, +85 $^{\circ}$ C	•	•
LM336,B	0 $^{\circ}$ C, +70 $^{\circ}$ C	•	•

236-01.TBL

PIN CONNECTIONS

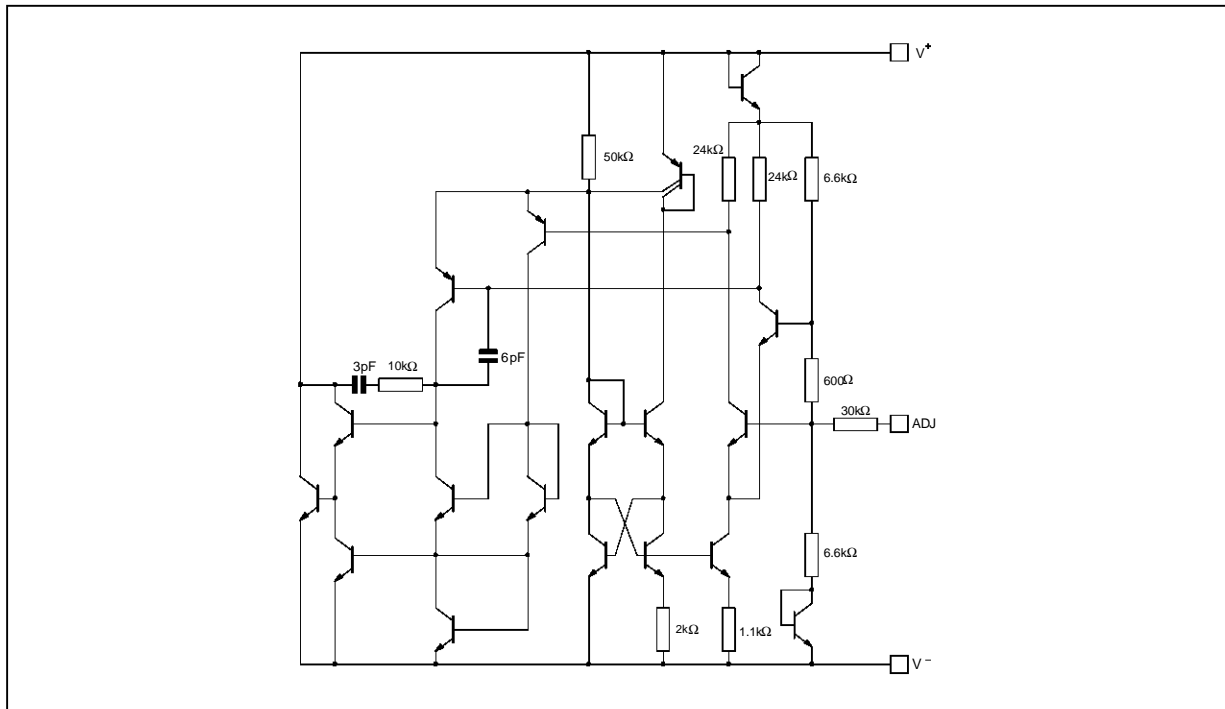


236-01.EPS

236-02.EPS

LM236,A - LM336,B

SCHEMATIC DIAGRAM



236-03.EPS

ABSOLUTE MAXIMUM RATINGS

Symbol	Parameter	LM236,A	LM336,B	Unit
I_R I_F	Current Reverse Forward	15 10	15 10	mA
T_{oper}	Operating Free-air Temperature Range	-25 to +85	0 to +70	°C
T_{stg}	Storage Temperature Range	-65 to +150		°C

236-02.TBL

ELECTRICAL CHARACTERISTICS

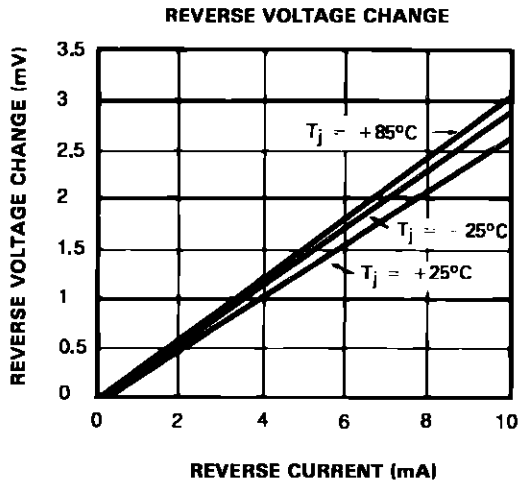
LM236,A $-25^{\circ}\text{C} \leq T_{amb} \leq +85^{\circ}\text{C}$

LM336,B $0^{\circ}\text{C} \leq T_{amb} \leq +70^{\circ}\text{C}$

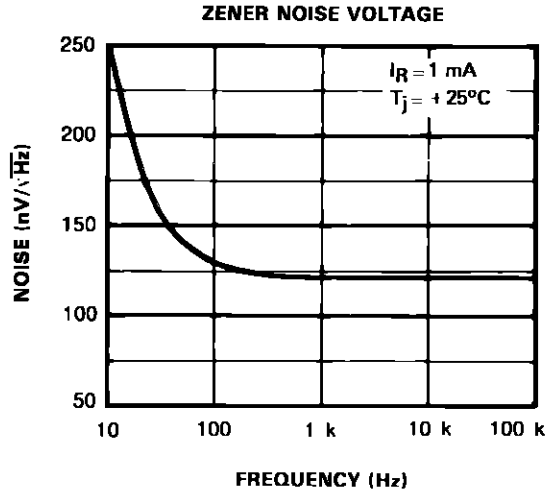
(unless otherwise specified)

Symbol	Parameter	LM236,A			LM336,B			Unit
		Min.	Typ.	Max.	Min.	Typ.	Max.	
V_R	Reverse Breakdown Voltage ($T_{amb} = +25^{\circ}\text{C}$, $I_R = 1\text{mA}$)	2.44	2.49	2.54	2.39	2.49	2.59	V
	LM236, LM336 LM236A, LM336B	2.465	2.49	2.515	2.44	2.49	2.59	
ΔV_R	Reverse Breakdown Voltage Change with Current ($400\mu\text{A} \leq I_R \leq 10\text{mA}$) $T_{amb} = +25^{\circ}\text{C}$ $T_{min.} \leq T_{amb} \leq T_{max.}$		2.6 3	6 10		2.6 3	10 12	mV
Z_D	Reverse Dynamic Impedance ($I_R = 1\text{mA}$) $T_{amb} = +25^{\circ}\text{C}$ $T_{min.} \leq T_{amb} \leq T_{max.}$		0.2 0.4	0.6 1		0.2 0.4	1 1.4	Ω
K_{VT}	Temperature Stability ($V_R = 2.49\text{V}$, $I_R = 1\text{mA}$)		3.5	9		1.8	6	mV
K_{VH}	Long Term Stability ($T_{amb} = +25^{\circ}\text{C} \pm 0.1^{\circ}\text{C}$, $I_R = 1\text{mA}$)		20			20		ppm

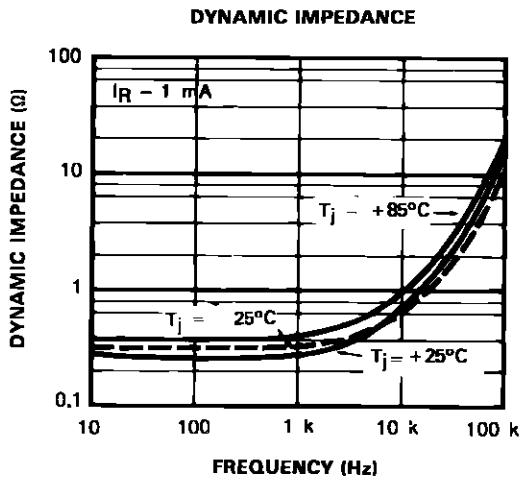
236-03.TBL



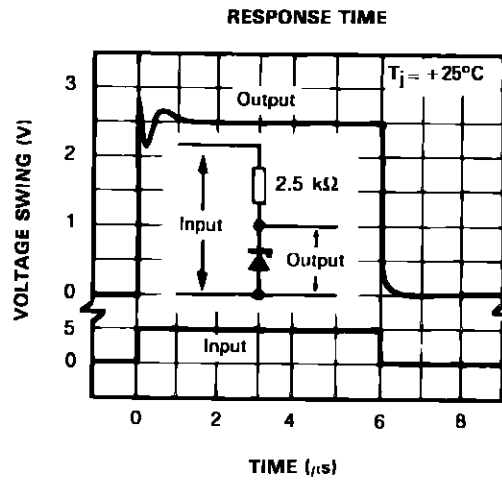
236-04.EPS



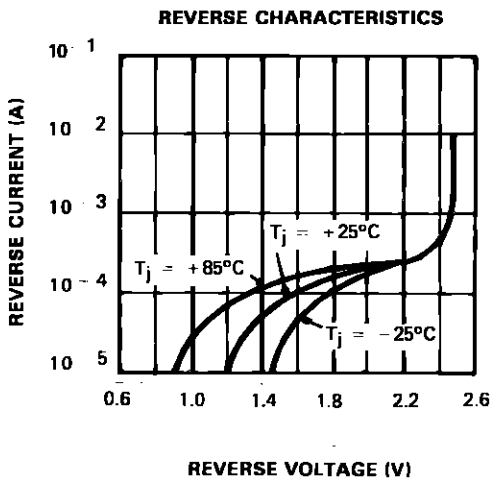
236-05.EPS



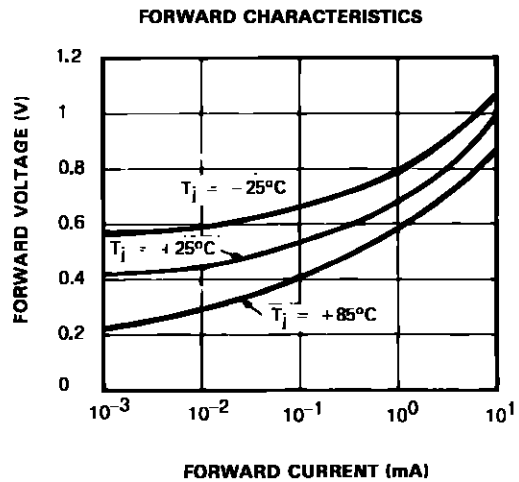
236-06.EPS



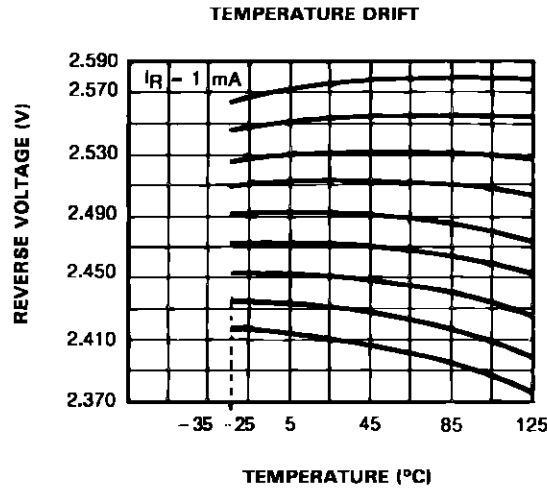
236-07.EPS



236-08.EPS



236-09.EPS



236-10.EPS

APPLICATION HINTS

The LM236, LM336 voltage references are easier to use than zener diodes. Their low impedance and wide current range facilitate biasing in any circuits. Besides, the breakdown voltage or the temperature coefficient can be adjusted so as to optimize the performance of the circuit.

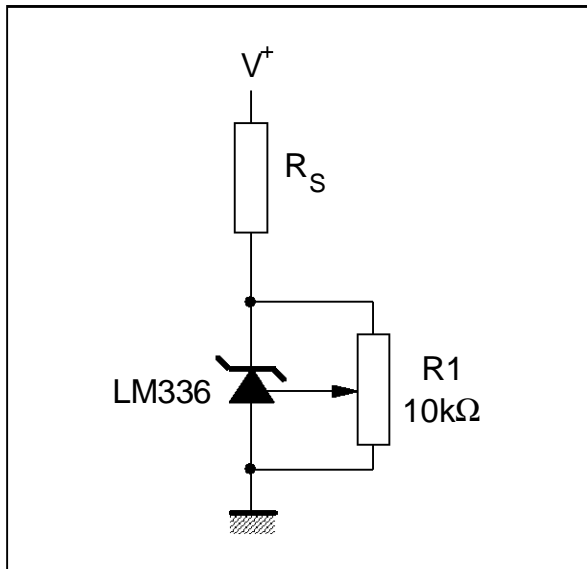
Figure 1 represents a LM336 with a 10kΩ potentiometer to adjust the reverse breakdown voltage can be adjusted without altering the temperature coefficient of the circuit.

The adjustment range is generally sufficient to adjust the initial tolerance of the circuit and the inaccuracy of the amplifier circuit.

To obtain a lower temperature coefficient two diodes can be connected in series as indicated in Figure 2. When the circuit is adjusted to 2.49V the temperature coefficient is minimized.

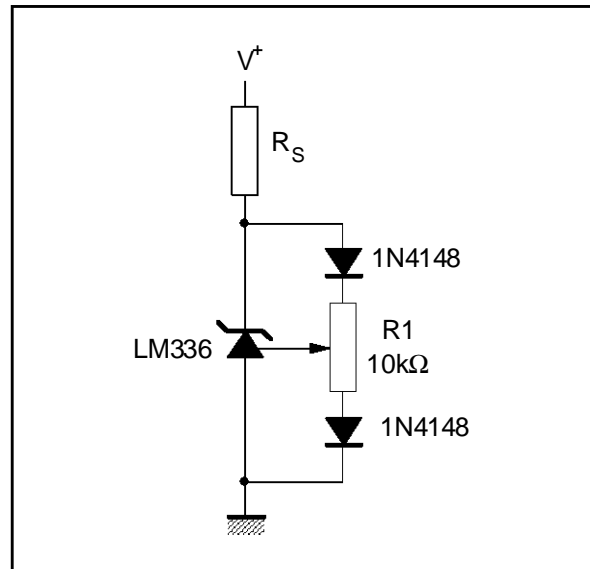
For a correct temperature coefficient, the diodes should be at the same ambient temperature as the LM336. The value of F1 is not critical (2-20kΩ).

Figure 1 : The LM336 with Pot for Adjustment of Breakdown Voltage



236-11.EPS

Figure 2 : Temperature Coefficient Adjustment



236-12.EPS

TYPICAL APPLICATIONS

Figure 3 : 2.5V Reference

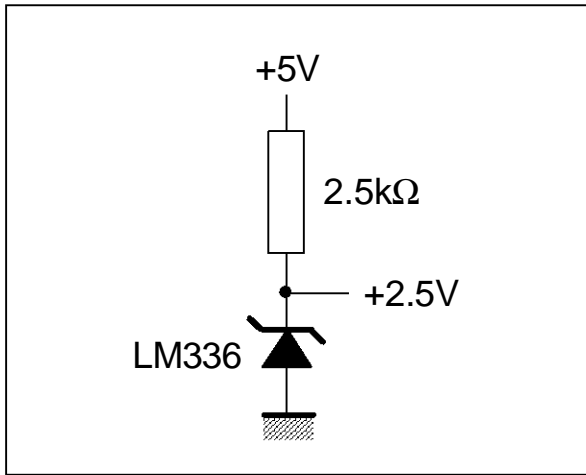


Figure 4 : Wide Input Range Reference

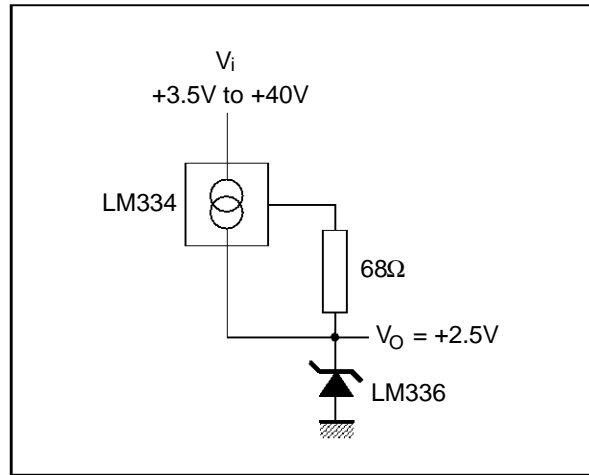


Figure 5 : Precision Power Regulator with Low Temperature Coefficient

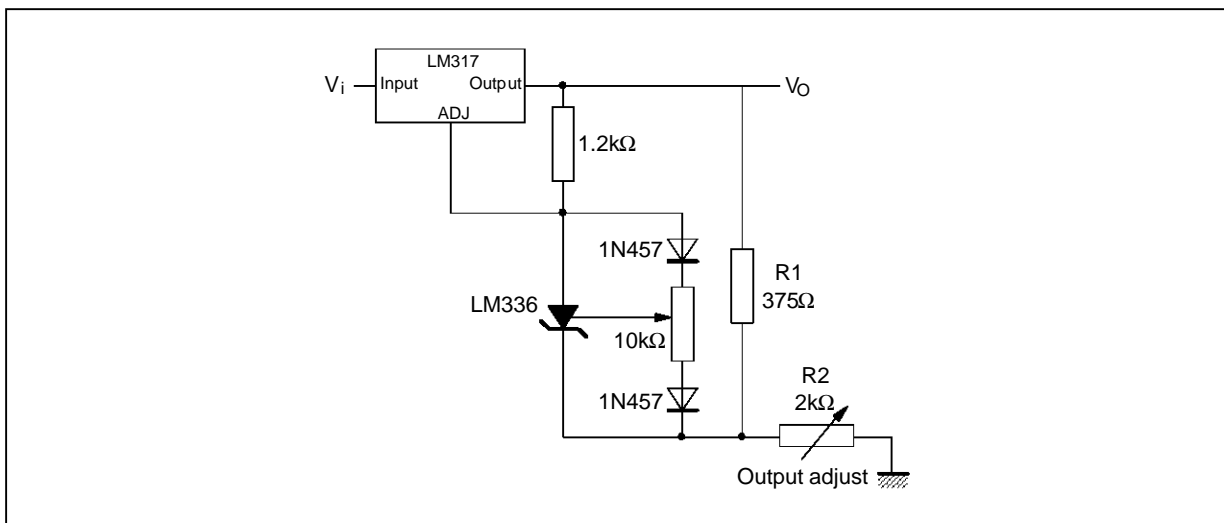
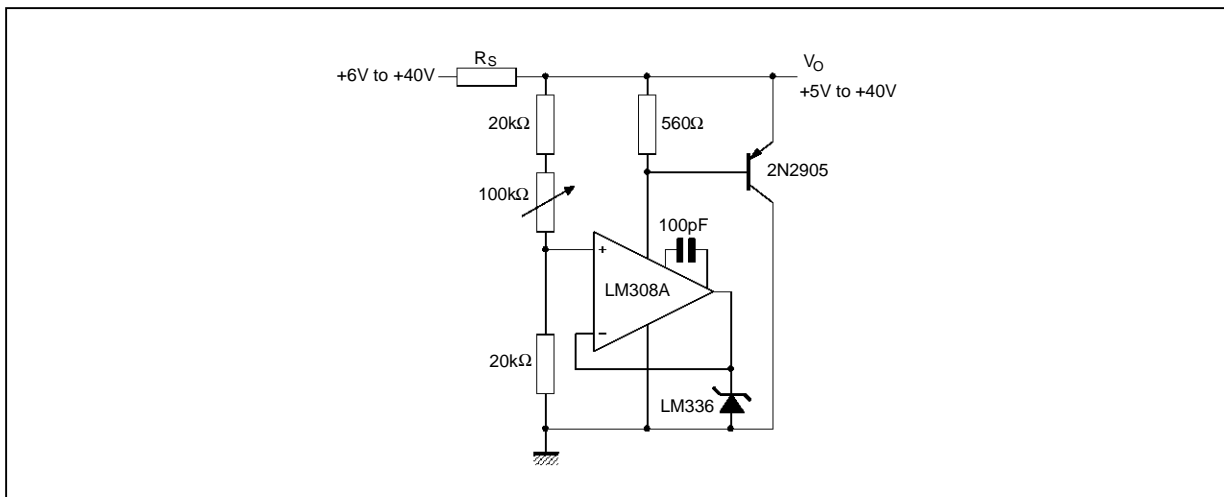
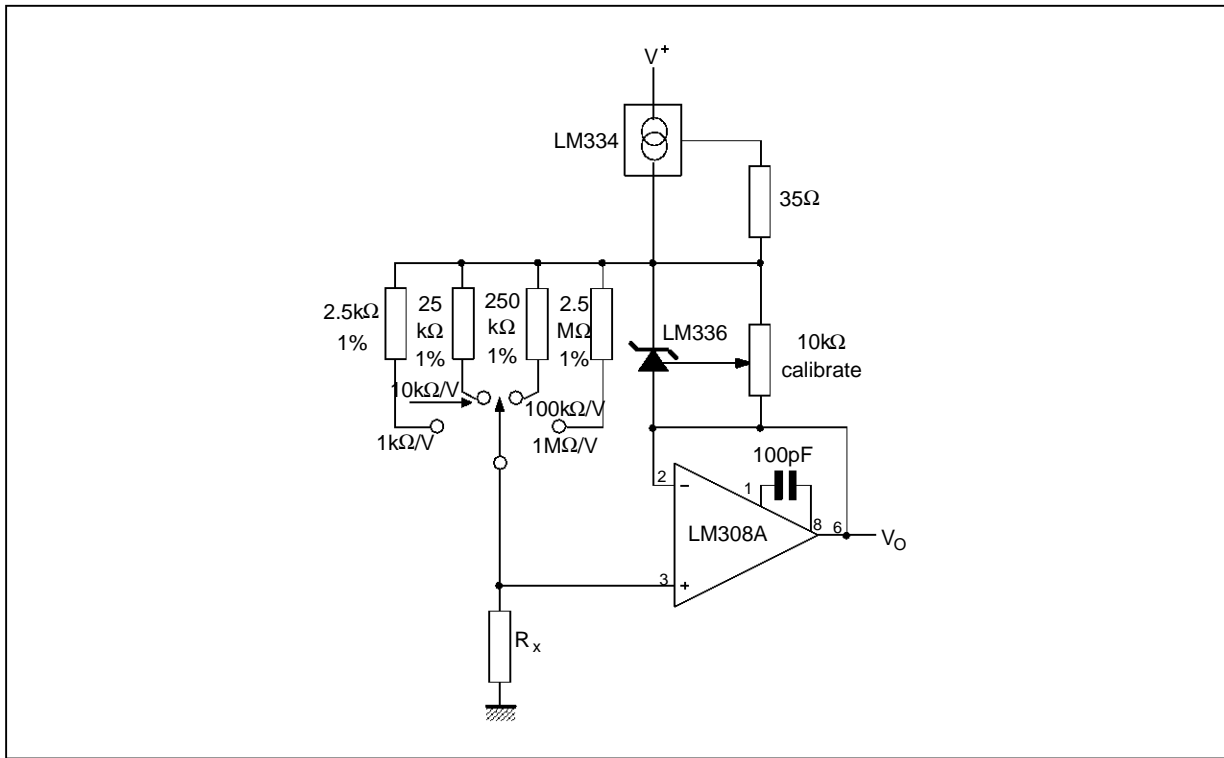


Figure 6 : Adjustable Shunt Regulator



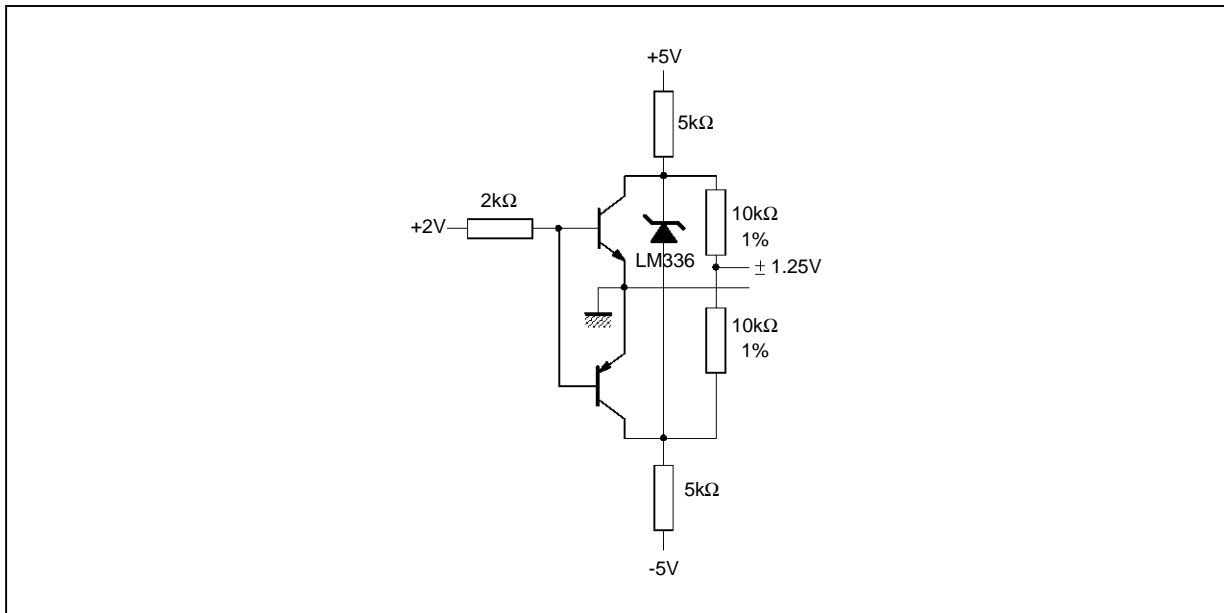
LM236,A - LM336,B

Figure 7 : Linear Ohmmeter



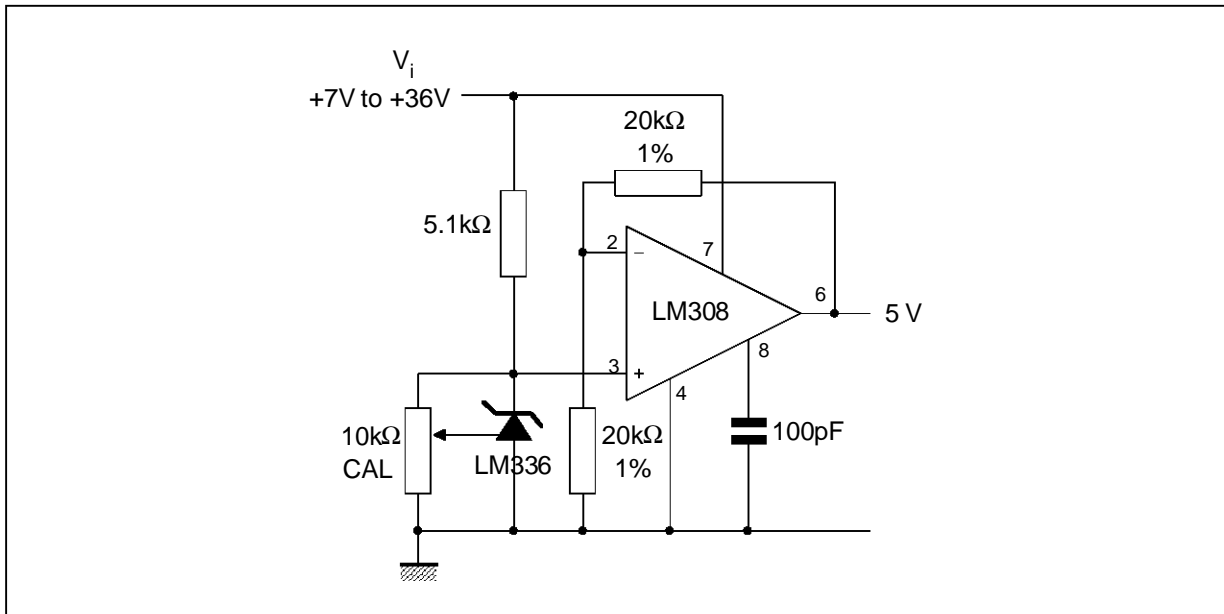
236-17.EPS

Figure 8 : Bipolar Output Reference



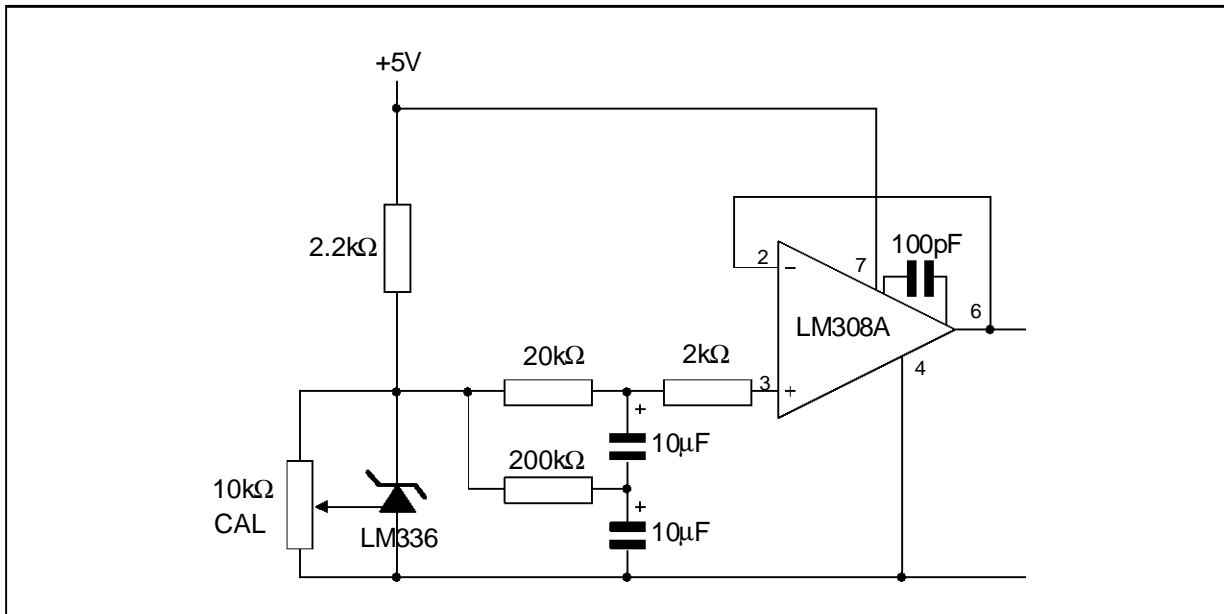
236-18.EPS

Figure 9 : 5V Buffered Reference



236-19.EPS

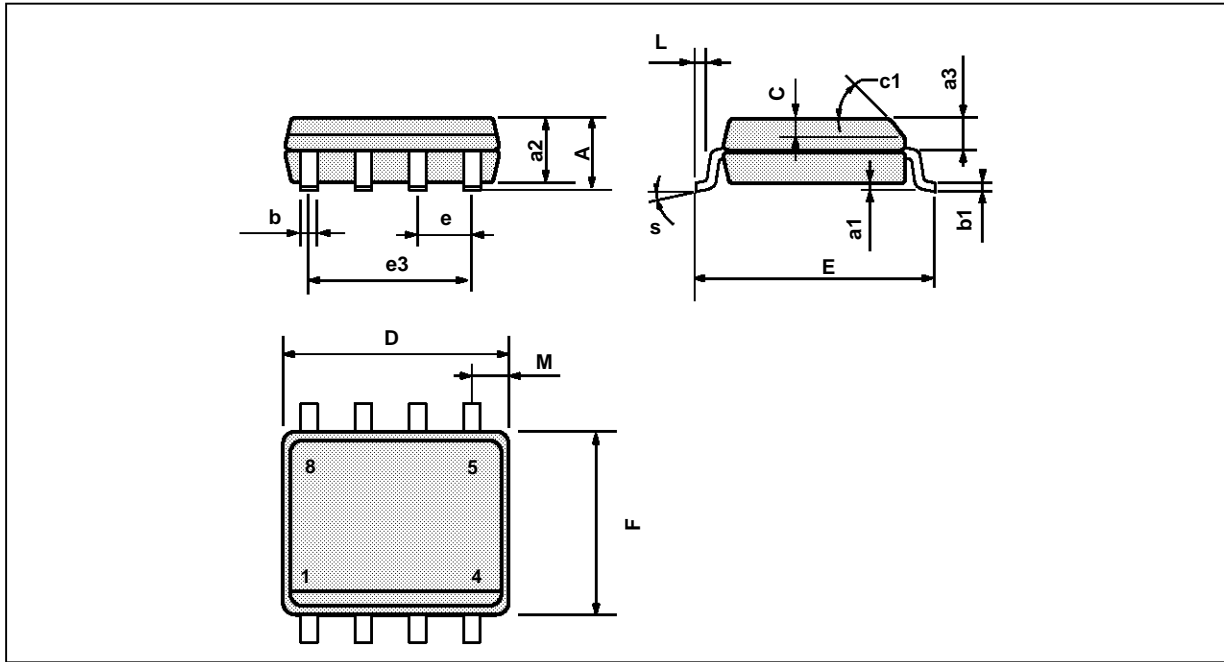
Figure 10 : Low Noise Buffered Reference



236-20.EPS

LM236,A - LM336,B

PACKAGE MECHANICAL DATA 8 PINS - PLASTIC MICROPACKAGE (SO)

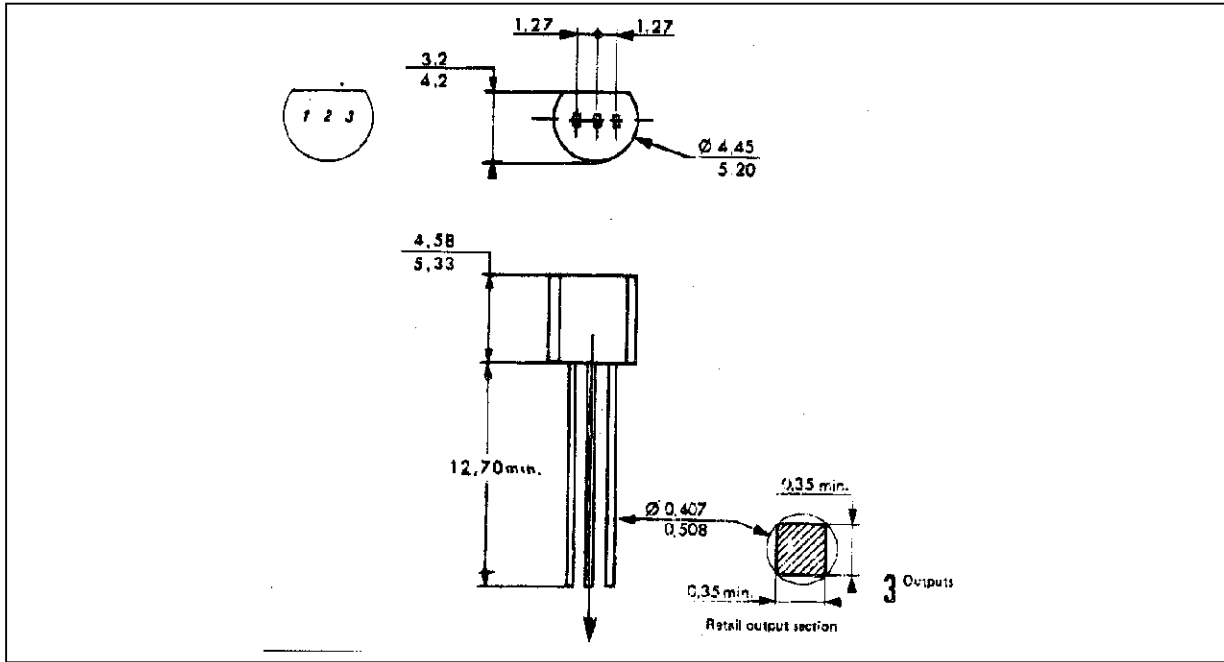


PM-S08.EPS

Dimensions	Millimeters			Inches		
	Min.	Typ.	Max.	Min.	Typ.	Max.
A			1.75			0.069
a1	0.1		0.25	0.004		0.010
a2			1.65			0.065
a3	0.65		0.85	0.026		0.033
b	0.35		0.48	0.014		0.019
b1	0.19		0.25	0.007		0.010
C	0.25		0.5	0.010		0.020
c1	45° (typ.)					
D	4.8		5.0	0.189		0.197
E	5.8		6.2	0.228		0.244
e		1.27			0.050	
e3		3.81			0.150	
F	3.8		4.0	0.150		0.157
L	0.4		1.27	0.016		0.050
M			0.6			0.024
S	8° (max.)					

S08.TBL

PACKAGE MECHANICAL DATA
3 PINS - PLASTIC PACKAGE TO92



Dimensions	Millimeters			Inches		
	Min.	Typ.	Max.	Min.	Typ.	Max.
L		1.27			0.05	
B	3.2	3.7	4.2	0.126	0.1457	0.1654
O1	4.45	5.00	5.2	0.1752	0.1969	0.2047
C	4.58	5.03	5.33	0.1803	0.198	0.2098
K	12.7			0.5		
O2	0.407	0.5	0.508	0.016	0.0197	0.02
a	0.35			0.0138		

Information furnished is believed to be accurate and reliable. However, SGS-THOMSON Microelectronics assumes no responsibility for the consequences of use of such information nor for any infringement of patents or other rights of third parties which may result from its use. No licence is granted by implication or otherwise under any patent or patent rights of SGS-THOMSON Microelectronics. Specifications mentioned in this publication are subject to change without notice. This publication supersedes and replaces all information previously supplied. SGS-THOMSON Microelectronics products are not authorized for use as critical components in life support devices or systems without express written approval of SGS-THOMSON Microelectronics.

© 1994 SGS-THOMSON Microelectronics - All Rights Reserved

SGS-THOMSON Microelectronics GROUP OF COMPANIES

Australia - Brazil - France - Germany - Hong Kong - Italy - Japan - Korea - Malaysia - Malta - Morocco - The Netherlands
Singapore - Spain - Sweden - Switzerland - Taiwan - Thailand - United Kingdom - U.S.A.